

EMC TEST REPORT

Sample : Bamboo finish kitchen scale

Trade Mark : N/A

Main Model : MO6245

Additional Model : N/A

Report No. : UNIA25032411ER-11

Prepared for

Mid Ocean Brands B.V.

7/F., Kings Tower, 111 King Lam Street, Cheung Sha Wan, Kowloon, Hong Kong

Prepared by

Shenzhen United Testing Technology Co., Ltd.

D101&D401, No. 107, Kaicheng High-Tech Park, Taoyuan Community,
Dalang Sub-District, Longhua District, Shenzhen, Guangdong, China

TEST RESULT CERTIFICATION

Applicant : Mid Ocean Brands B.V.
Address..... : 7/F., Kings Tower, 111 King Lam Street, Cheung Sha Wan, Kowloon,
Hong Kong

Manufacturer : Mid Ocean Brands B.V.
Address..... : 7/F., Kings Tower, 111 King Lam Street, Cheung Sha Wan, Kowloon,
Hong Kong

Product description

Product : Bamboo finish kitchen scale

Trade Mark..... : N/A

Model Name : MO6245

Standards : EN 55032:2015+A1:2020
EN 55035:2017+A11:2020

Date of Test

Date (s) of performance of tests..... : Mar. 24, 2025 ~ Mar. 25, 2025

Date of Issue : Apr. 02, 2025

Test Result..... : Pass

Edited by:

Jason Ye

Reviewed by:

Kelly Cheng

Approved by:

Liuze

Table of Contents

Page

1 TEST SUMMARY	4
1.1 TEST RESULTS	4
1.2 TEST LOCATION	4
1.3 MEASUREMENT UNCERTAINTY	5
1.4 ENVIRONMENTAL CONDITIONS	5
2 GENERAL INFORMATION	6
2.1 GENERAL DESCRIPTION OF EUT	6
2.2 DESCRIPTION OF THE TEST MODES	7
2.3 DESCRIPTION OF TEST SETUP	7
2.4 DESCRIPTION TEST PERIPHERAL AND EUT PERIPHERAL	7
2.5 MEASUREMENT INSTRUMENTS LIST	8
3 RADIATED EMISSIONS MEASUREMENT	9
3.1 RADIATED EMISSION LIMIT	9
3.2 TEST SETUP	9
3.3 TEST PROCEDURE	10
3.4 TEST RESULT	10
4 EMC IMMUNITY TEST	13
4.1 STANDARD COMPLIANCE/SERVRITY LEVEL/CRITERIA	13
4.2 GENERAL PERFORMANCE CRITERIA	13
5 ELECTROSTATIC DISCHARGE IMMUNITY TEST (ESD)	14
5.1 TEST SPECIFICATION	14
5.2 TEST SETUP	14
5.3 TEST PROCEDURE	15
5.4 TEST RESULT	16
6 RADIATED, RADIO-FREQUENCY, ELECTROMAGNETIC FIELD IMMUNITY TEST (RS)	17
6.1 TEST SPECIFICATION	17
6.2 TEST SETUP	17
6.3 TEST PROCEDURE	18
6.4 TEST RESULT	19
7 PHOTO OF EUT	20
8 PHOTO OF TEST	23

1 TEST SUMMARY

1.1 TEST RESULTS

Test procedures according to the technical standards:

EMC Emission				
Standard	Test Item	Class	Result	Remark
EN 55032:2015+A1:2020	Radiated Emissions	Class B	PASS	NOTE (1)
EMC Immunity				
Section EN 55035:2017 +A11:2020	Test Item	Performance Criteria	Result	Remark
EN 61000-4-2:2009	Electrostatic Discharge	B	PASS	--
EN IEC 61000-4-3:2020	RF Electromagnetic Field	A	PASS	--

Note:

- (1) If the highest frequency of the internal sources of the EUT is less than 108 MHz, the measurement shall only be made up to 1 GHz.
 If the highest frequency of the internal sources of the EUT is between 108 MHz and 500 MHz, the measurement shall only be made up to 2 GHz.
 If the highest frequency of the internal sources of the EUT is between 500 MHz and 1GHz, the measurement shall only be made up to 5 GHz.
 If the highest frequency of the internal sources of the EUT is above 1 GHz, the measurement shall be made up to 5 times of the highest frequency or 6 GHz, whichever is less.
- (2) For client's request and manual description, the test will not be executed.
- (3) "N/A" denotes test is not applicable in this Test Report.
- (4) "--" means "no" in this test report.

1.2 TEST LOCATION

Test Laboratory : Shenzhen United Testing Technology Co., Ltd.
 Address : D101&D401, No. 107, Kaicheng High-Tech Park, Taoyuan Community,
 Dalang Sub-District, Longhua District, Shenzhen, Guangdong, China

1.3 MEASUREMENT UNCERTAINTY

The reported uncertainty of measurement $y \pm U$, where expanded uncertainty U is based on a standard uncertainty multiplied by a coverage factor of $k = 2$, providing a level of confidence of approximately 95%.

A. Conducted Measurement:

Test Site	Method	Measurement Frequency Range	U, (dB)	NOTE
UNI	CISPR16-4-2	9kHz ~ 150kHz	2.96	--
		150kHz ~ 30MHz	2.44	--

B. Radiated Measurement:

Test Site	Method	Measurement Frequency Range	U, (dB)	NOTE
UNI	CISPR16-4-2	9kHz ~ 30MHz	2.50	--
		30MHz ~ 1000MHz	4.80	--
		1000MHz ~ 6000MHz	4.13	--

1.4 ENVIRONMENTAL CONDITIONS

During the measurement the environmental conditions were within the listed ranges:

Temperature:	15~35 °C
Relative Humidity:	30~60 %
Air Pressure:	950~1050 hPa

2 GENERAL INFORMATION

2.1 GENERAL DESCRIPTION OF EUT

The following information of EUT submitted and identified by applicant:

Product:	Bamboo finish kitchen scale
Trade Mark:	N/A
Main Model:	MO6245
Additional Model:	N/A
Model Difference:	N/A
Power Source:	DC 3V by battery
Product Description:	The EUT is a MO6245. Based on the application, features, or specification exhibited in User's Manual, more details of EUT technical specification, please refer to the User's Manual.

I/O Port Information (Applicable Not Applicable)

I/O Port Type	Number
--	--

2.2 DESCRIPTION OF THE TEST MODES

No.	Test mode description
1	Working mode

2.3 DESCRIPTION OF TEST SETUP



Note: The EUT tested system was configured as upper figure, unless otherwise a special operating condition is specified in the following during the testing.

2.4 DESCRIPTION TEST PERIPHERAL AND EUT PERIPHERAL

The EUT has been tested as an independent unit together with other necessary accessories or support units. The following support units or accessories were used to form a representative test configuration during the tests.

Item	Equipment	Mfr/Brand	Model/Type No.	Power Cable Length	Note
E-1	Bamboo finish kitchen scale	N/A	MO6245	--	EUT

Note:

1. The support equipment was authorized by Declaration of Confirmation.
2. All the above equipment/cables were placed in worse case positions to maximize emission signals during emission test.

2.5 MEASUREMENT INSTRUMENTS LIST

Item	Equipment	Manufacturer	Model No.	Serial No.	Calibrated until
Radiated Emissions Measurement					
1	Radiated Emission Test Software	EZ-EMC	Ver.CCS-03A1	N/A	N/A
2	Horn Antenna	Sunol	DRH-118	A101415	2025.07.14
3	Broadband Hybrid Antenna	Sunol	JB1	A090215	2025.07.28
4	PREAMP	HP	8449B	3008A00160	2025.06.11
5	PREAMP	HP	8447D	2944A07999	2025.06.11
6	EMI Test Receiver	Rohde&Schwarz	ESR3	101891	2025.06.11
7	MXA Signal Analyzer	Keysight	N9020A	MY51110104	2025.06.11
8	Active Loop Antenna	Com-Power	AL-310R	10160009	2025.06.11
9	Horn Antenna	Schwarzbeck	BBHA9120D	9120D-1680	2025.07.14
10	Horn Antenna	A-INFOMW	LB-180400-KF	J211060660	2025.07.14
11	Loop Antenna	Beijing daze Technology	ZN30401	13015	2025.06.11
12	EM Clamp	Schwarzbeck	MDS21	03350	2025.06.11
Electrostatic Discharge Test					
1	ESD Generator	EVERFINE	EMS61000-2A	P185811CA837112 1	2025.07.13
RS Test					
1	Power Meter	Agilent	E4419B	QB4331226	2025.10.10
2	Power Sensor	Agilent	8481A	MY41092622	2025.10.10
3	Power Sensor	Agilent	8481A	US37296783	2025.10.10
4	Signal Generator	Agilent	N5182A	MY46240556	2025.10.10
5	Power Amplifier	MICOTOP	MPA-80-1000-250	1711489	2025.10.10
6	Power Amplifier	MICOTOP	MPA-1000-3000-75	1711488	2025.10.10
7	Power Amplifier	MICOTOP	MPA-3000-6000-50	MPA1706275	2025.10.10
8	Bilog Antenna	TESEQ	CBL6111D	34678	2025.10.10
9	Horn Antenna	Schwarzbeck	BBHA9120D	9120D-1680	2025.05.27

3 RADIATED EMISSIONS MEASUREMENT

3.1 RADIATED EMISSION LIMIT

Below 1000MHz:

Frequency (MHz)	Class A		Class B	
	10m	3m	10m	3m
	dBuV/m		dBuV/m	
30~230	40	50	30	40
230~1000	47	57	37	47

Above 1000MHz:

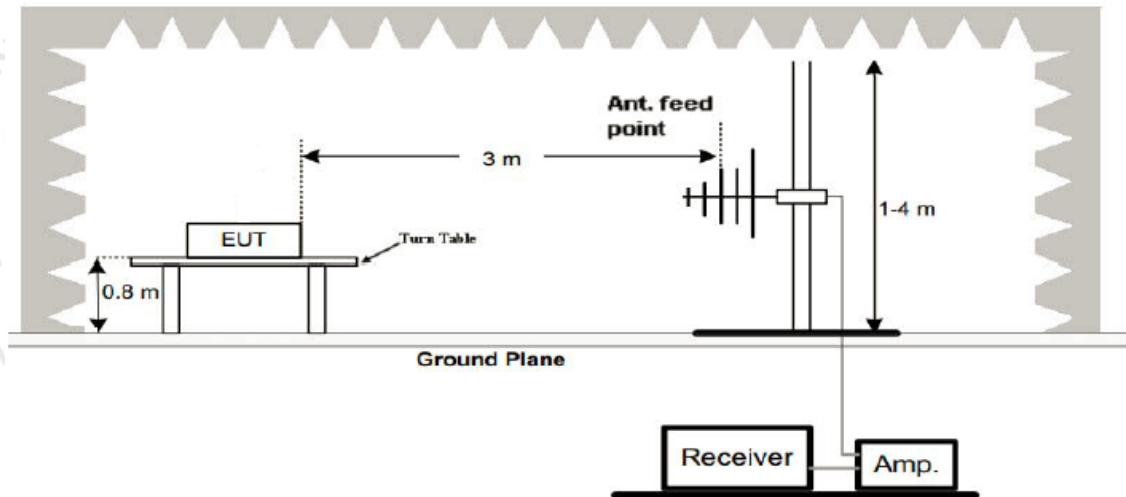
Frequency (MHz)	Class A		Class B	
	PK	AV	PK	AV
	dBuV/m		dBuV/m	
1000~3000	76	56	70	50
3000~6000	80	60	74	54

Note:

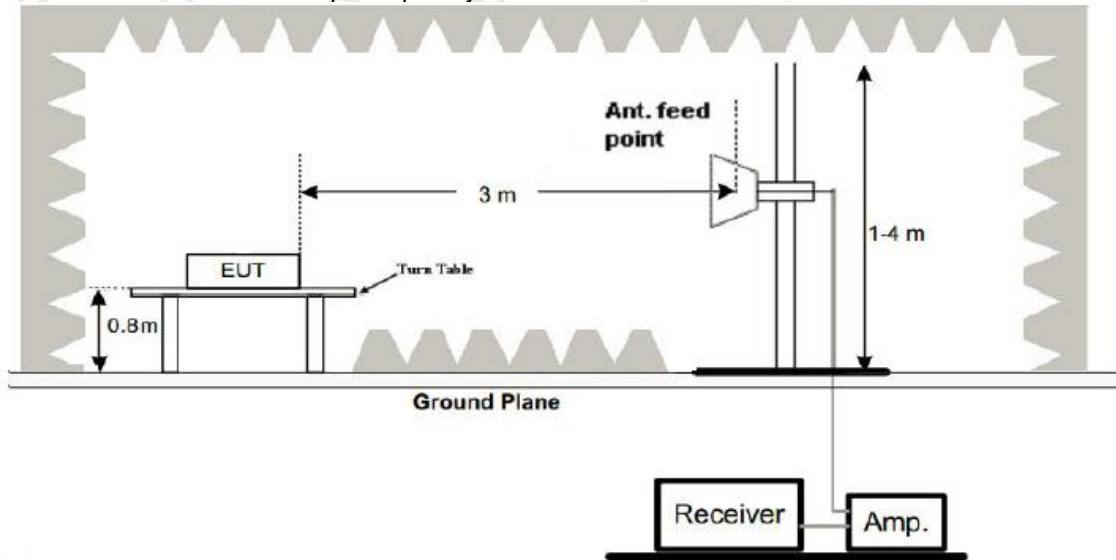
1. The tighter limit applies at the band edges.
2. Emission level (dBuV/m) = 20log Emission level (uV/m).

3.2 TEST SETUP

1. Radiated Emission Test-Up Frequency Below 1000MHz



2. Radiated Emission Test-Up Frequency Above 1000MHz



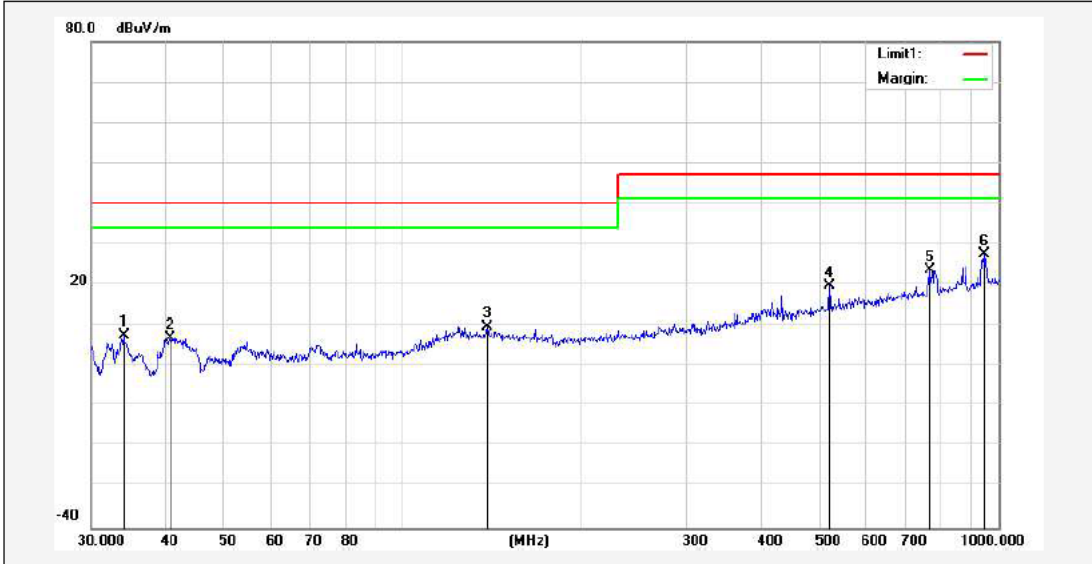
3.3 TEST PROCEDURE

1. The EUT was placed on the top of a rotating table 0.8 meters above the ground at a 3 meter anechoic chamber room test site. The table was rotated 360 degrees to determine the position of the highest radiation.
2. The EUT was set 3 meters away from the interference-receiving antenna, which was mounted on the top of a variable-height antenna tower.
3. The height of antenna is varied from 1 meter to 4 meters above the ground to determine the maximum value of the field strength. Both horizontal and vertical polarizations of the antenna are set to make the measurement.
4. For each suspected emission, the EUT was arranged to its worst case and then the antenna was tuned to heights from 1 meter to 4 meters and the rotatable table was turned from 0 degrees to 360 degrees to find the maximum reading.
5. The test-receiver system was set to quasi-peak detect function and specified bandwidth with maximum hold mode when the test frequency is below 1GHz.
6. For the actual test configuration, please refer to the related Item EUT Test Photos.

3.4 TEST RESULT

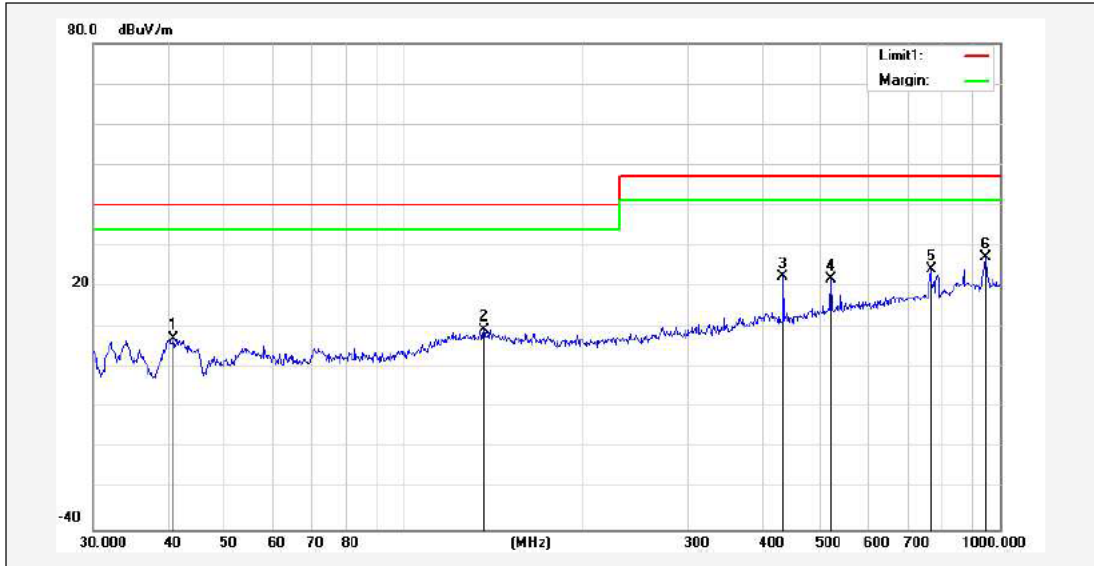
PASS

Temperature:	24°C	Relative Humidity:	48%
Test Voltage:	DC 3.0V	Pressure:	1010hPa
Test Mode:	Mode 1	Polarization:	Horizontal



No.	Frequency (MHz)	Reading (dBuV)	Correction factor(dB/m)	Result (dBuV/m)	Limit (dBuV/m)	Margin (dB)	Degree (deg.)	Height (cm)	Remark
1	34.0365	29.30	-21.85	7.45	40.00	-32.55			QP
2	40.7016	28.78	-21.83	6.95	40.00	-33.05			QP
3	138.8735	28.67	-18.95	9.72	40.00	-30.28			QP
4	520.8882	32.63	-13.19	19.44	47.00	-27.56			QP
5	766.0572	33.24	-9.74	23.50	47.00	-23.50			QP
6*	948.7610	34.06	-6.69	27.37	47.00	-19.63			QP

Temperature:	24°C	Relative Humidity:	48%
Test Voltage:	DC 3.0V	Pressure:	1010hPa
Test Mode:	Mode 1	Polarization:	Vertical



No.	Frequency (MHz)	Reading (dBuV)	Correction factor(dB/m)	Result (dBuV/m)	Limit (dBuV/m)	Margin (dB)	Degree (deg.)	Height (cm)	Remark
1	40.9881	29.23	-21.97	7.26	40.00	-32.74			QP
2	135.9822	28.56	-19.06	9.50	40.00	-30.50			QP
3	432.5457	37.46	-15.20	22.26	47.00	-24.74			QP
4	520.8882	34.74	-13.19	21.55	47.00	-25.45			QP
5	766.0572	33.68	-9.74	23.94	47.00	-23.06			QP
6*	948.7610	33.73	-6.69	27.04	47.00	-19.96			QP

Remark: Result = Reading Level + Factor, Margin = Result – Limit
 Factor = Ant. Factor + Cable Loss – Pre-amplifier

4 EMC IMMUNITY TEST

4.1 STANDARD COMPLIANCE/SERVRITY LEVEL/CRITERIA

Tests Standard No.	TEST SPECIFICATION	Test Mode Test Ports	Perform Criteria
ESD EN 61000-4-2	8kV air discharge 4kV contact discharge	Direct Mode	B
	4kV HCP discharge 4kV VCP discharge	Indirect Mode	B
RS EN IEC 61000-4-3	80 MHz to 1000 MHz, 1800MHz,2600MHz,3500MHz,5000 MHz, 1000Hz, 80%, AM modulated	Enclosure	A

4.2 GENERAL PERFORMANCE CRITERIA

According to EN 55035 standard, the general performance criteria as following:

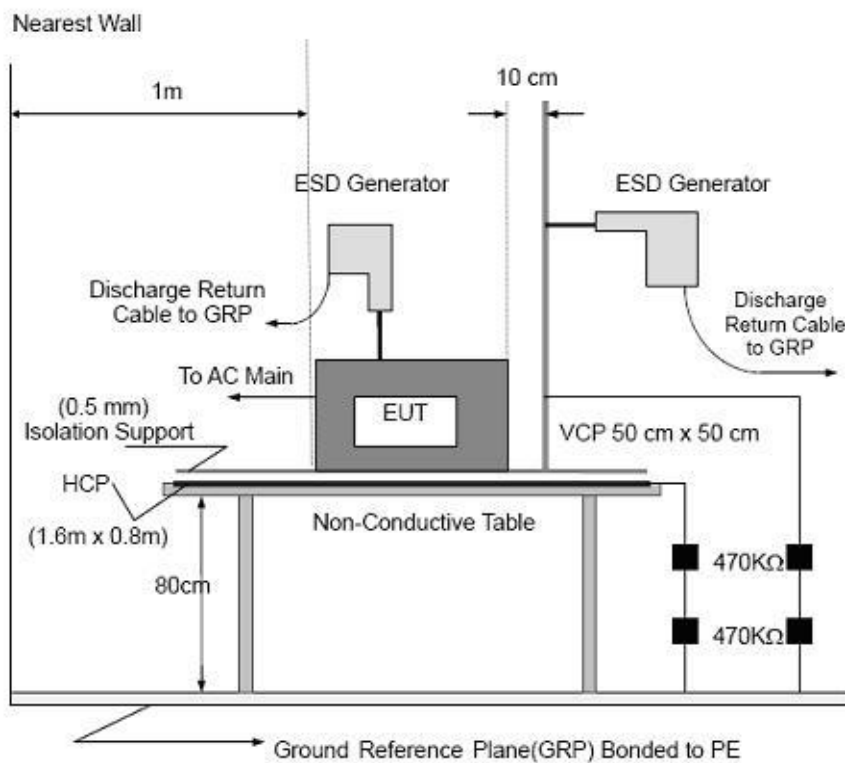
Criterion A	The equipment shall continue to operate as intended without operator intervention. No degradation of performance, loss of function or change of operating state is allowed below a performance level specified by the manufacturer when the equipment is used as intended. The performance level may be replaced by a permissible loss of performance. If the minimum performance level or the permissible performance loss is not specified by the manufacturer, then either of these may be derived from the product description and documentation, and by what the user may reasonably expect from the equipment if used as intended.
Criterion B	During the application of the disturbance, degradation of performance is allowed. However, no unintended change of actual operating state or stored data is allowed to persist after the test. After the test, the equipment shall continue to operate as intended without operator intervention; no degradation of performance or loss of function is allowed, below a performance level specified by the manufacturer, when the equipment is used as intended. The performance level may be replaced by a permissible loss of performance. If the minimum performance level (or the permissible performance loss), or recovery time, is not specified by the manufacturer, then either of these may be derived from the product description and documentation, and by what the user may reasonably expect from the equipment if used as intended.
Criterion C	Loss of function is allowed, provided the function is self-recoverable, or can be restored by the operation of the controls by the user in accordance with the manufacturer's instructions. A reboot or re-start operation is allowed. Information stored in non-volatile memory, or protected by a battery backup, shall not be lost.

5 ELECTROSTATIC DISCHARGE IMMUNITY TEST (ESD)

5.1 TEST SPECIFICATION

Basic Standard:	EN 61000-4-2
Discharge Impedance:	330 ohm / 150 pF
Required Performance:	B
Discharge Voltage:	Air Discharge: 2kV/4kV/8kV (Direct) Contact Discharge: 2kV/4kV (Direct/Indirect)
Polarity:	Positive & Negative
Number of Discharge:	Air Discharge: min. 20 times at each test point Contact Discharge: min. 200 times in total
Discharge Mode:	Single Discharge
Discharge Period:	1 second minimum

5.2 TEST SETUP



Note:

TABLE-TOP EQUIPMENT

The configuration consisted of a wooden table 0.8 meters high standing on the Ground Reference Plane. The GRP consisted of a sheet of aluminum at least 0.25mm thick. A Horizontal Coupling Plane (1.6m x 0.8m) was placed on the table and attached to the GRP by means of a cable with 940kΩ total impedance. The equipment under test, was installed in a representative system as described in section 7 of EN 61000-4-2, and its cables were placed on the HCP and isolated by an insulating support of 0.5mm thickness. A distance of 0.8-meter minimum was provided between the EUT and the walls of the laboratory and any other metallic structure.

FLOOR-STANDING EQUIPMENT

The equipment under test was installed in a representative system as described in section 7 of EN 61000-4-2, and its cables were isolated from the Ground Reference Plane by an insulating support of 0.1 meter thickness. The GRP was consisted of a sheet of aluminum that is at least 0.25mm thick, and extended at least 0.5 meters from the EUT on all sides.

5.3 TEST PROCEDURE

The test generator necessary to perform direct and indirect application of discharges to the EUT in the following manners:

1. Electrostatic discharges were applied only to those points and surfaces of the EUT that are accessible to users during normal operation. The test was performed with at least ten single discharges on the pre-selected points in the most sensitive polarity.

The time interval between two successive single discharges was at least 1 second.

The ESD generator was held perpendicularly to the surface to which the discharge was applied and the return cable was at least 0.2 meters from the EUT.

Contact discharges were applied to the non-insulating coating, with the pointed tip of the generator penetrating the coating and contacting the conducting substrate.

Air discharges were applied with the round discharge tip of the discharge electrode approaching the EUT as fast as possible (without causing mechanical damage) to touch the EUT. After each discharge, the ESD generator was removed from the EUT and re-triggered for a new single discharge. The test was repeated until all discharges were complete.

Vertical Coupling Plane (VCP):

The coupling plane, of dimensions 0.5m x 0.5m, is placed parallel to, and positioned at a distance 0.1m from, the EUT, with the Discharge Electrode touching the coupling plane.

The four faces of the EUT will be performed with electrostatic discharge.

Horizontal Coupling Plane (HCP):

The coupling plane is placed under to the EUT. The generator shall be positioned vertically at a distance of 0.1m from the EUT, with the Discharge Electrode touching the coupling plane.

The four faces of the EUT will be performed with electrostatic discharge.

2. Air discharges at insulation surfaces of the EUT.

It was at least ten single discharges with positive and negative at the same selected point.

5.4 TEST RESULT

Temperature:	22°C	Relative Humidity:	48%
Test Voltage:	DC 3.0V	Pressure:	1010hPa
Test Mode:	Mode 1		

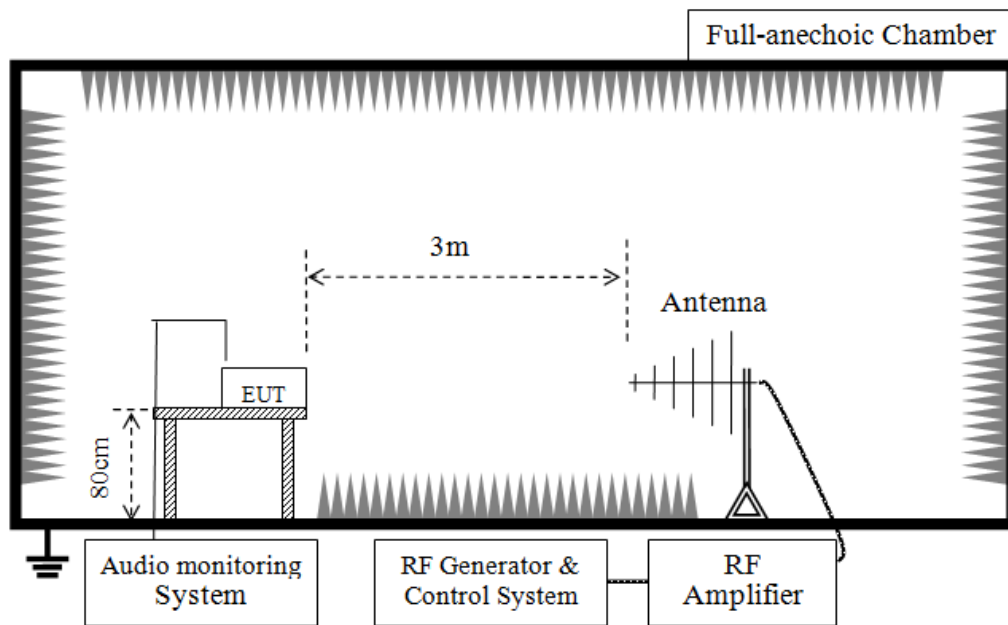
Voltage	Coupling	Test Performance	Performance Result	Result (Pass/Fail)
±4kV	Contact Discharge	No function loss	A	Pass
±4kV	Indirect Discharge HCP (Front)	No function loss	A	Pass
±4kV	Indirect Discharge HCP (Left)	No function loss	A	Pass
±4kV	Indirect Discharge HCP (Back)	No function loss	A	Pass
±4kV	Indirect Discharge HCP (Right)	No function loss	A	Pass
±4kV	Indirect Discharge VCP (Front)	No function loss	A	Pass
±4kV	Indirect Discharge VCP (Left)	No function loss	A	Pass
±4kV	Indirect Discharge VCP (Back)	No function loss	A	Pass
±4kV	Indirect Discharge VCP (Right)	No function loss	A	Pass
±8kV	Air Discharge	No function loss	A	Pass

6 RADIATED, RADIO-FREQUENCY, ELECTROMAGNETIC FIELD IMMUNITY TEST (RS)

6.1 TEST SPECIFICATION

Basic Standard:	EN IEC 61000-4-3
Required Performance:	A
Frequency Range:	80~1000MHz,1800MHz,2600MHz,3500MHz,5000MHz
Field Strength:	3 V/m
Modulation:	1kHz Sine Wave, 80%, AM Modulation
Frequency Step:	1 % of fundamental
Polarity of Antenna:	Horizontal and Vertical
Test Distance:	3 m
Antenna Height:	1.55 m
Dwell Time:	1.5x 10 ⁻³ decade/s

6.2 TEST SETUP



Note:

TABLE-TOP EQUIPMENT

The EUT installed in a representative system as described in section 7 of EN 61000-4-3 was placed on a non-conductive table 0.8 meters in height. The system under test was connected to the power and signal wire according to relevant installation instructions.

FLOOR-STANDING EQUIPMENT

The EUT installed in a representative system as described in section 7 of EN 61000-4-3 was placed on a non-conductive wood support 0.1 meter in height. The system under test was connected to the power and signal wire according to relevant installation instructions.

6.3 TEST PROCEDURE

The EUT and support equipment, which are placed on a table that is 0.8 meters above ground and the testing was performed in a fully-anechoic chamber.

The testing distance from antenna to the EUT was 3 meters.

The other condition need as following manners:

- 1.The frequency range is swept from 80 MHz to 1000 MHz, 1800 MHz, 2600 MHz, 3500 MHz, 5000 MHz, with the signal 80% amplitude modulated with a 1kHz sine wave. The rate of sweep did not exceed 1.5×10^{-3} decade/s. Where the frequency range is swept incrementally, the step size was 1% of fundamental.
- 2.The dwell time at each frequency shall be not less than the time necessary for the EUT to be able to respond.
- 3.The test was performed with the EUT exposed to both vertically and horizontally polarized fields on each of the four sides.

6.4 TEST RESULT

Temperature:	22°C	Relative Humidity:	48%
Test Voltage:	DC 3.0V	Pressure:	1010hPa
Test Mode:	Mode 1		

Frequency Range (MHz)	RF Field Position	R.F. Field Strength	Azimuth	Performance Result	Result (Pass/Fail)
80~1000	H / V	3 V/m (rms) AM Modulated 1000Hz, 80%	Front	A	PASS
			Rear		
			Left		
			Right		
1800	H / V	3 V/m (rms) AM Modulated 1000Hz, 80%	Front	A	PASS
			Rear		
			Left		
			Right		
2600	H / V	3 V/m (rms) AM Modulated 1000Hz, 80%	Front	A	PASS
			Rear		
			Left		
			Right		
3500	H / V	3 V/m (rms) AM Modulated 1000Hz, 80%	Front	A	PASS
			Rear		
			Left		
			Right		
5000	H / V	3 V/m (rms) AM Modulated 1000Hz, 80%	Front	A	PASS
			Rear		
			Left		
			Right		

7 PHOTO OF EUT



PHOTO 01



PHOTO 02

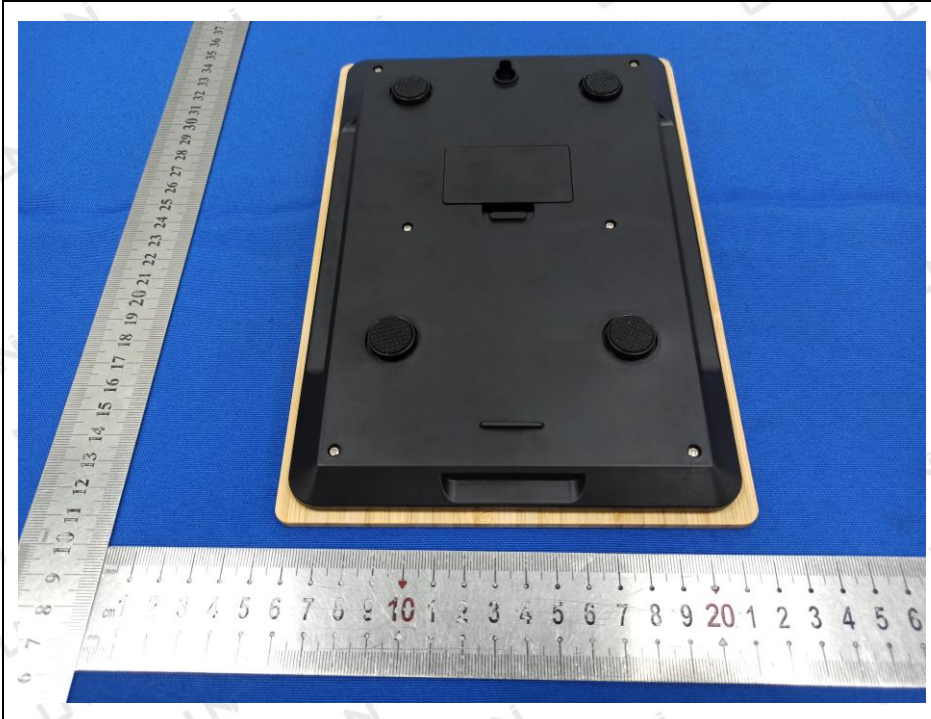


PHOTO 03



PHOTO 04

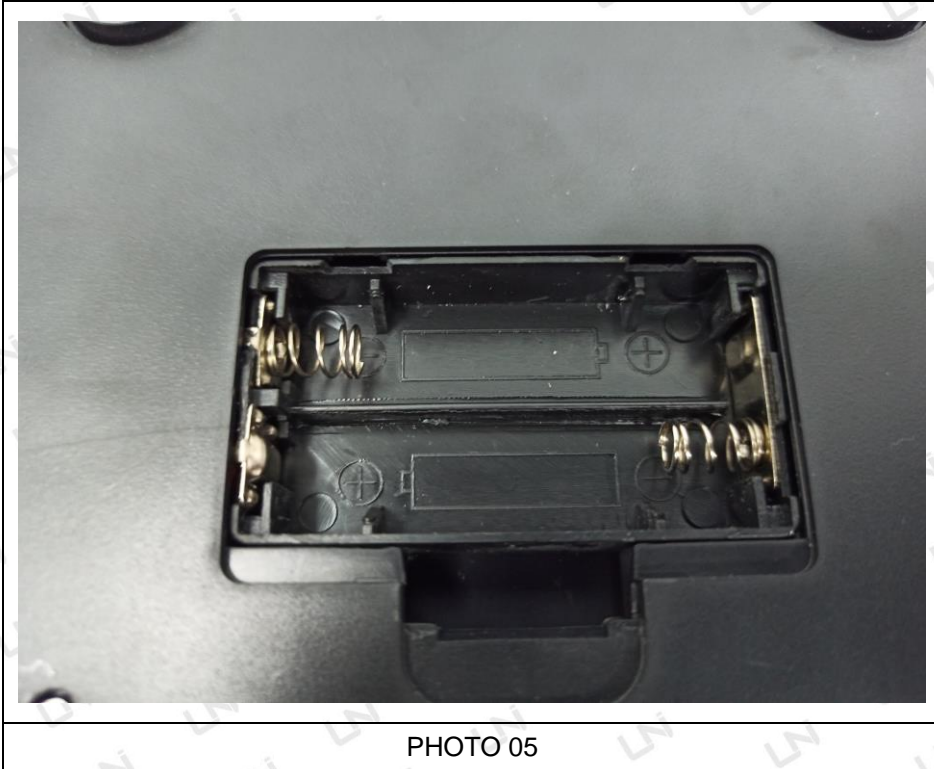


PHOTO 05

8 PHOTO OF TEST

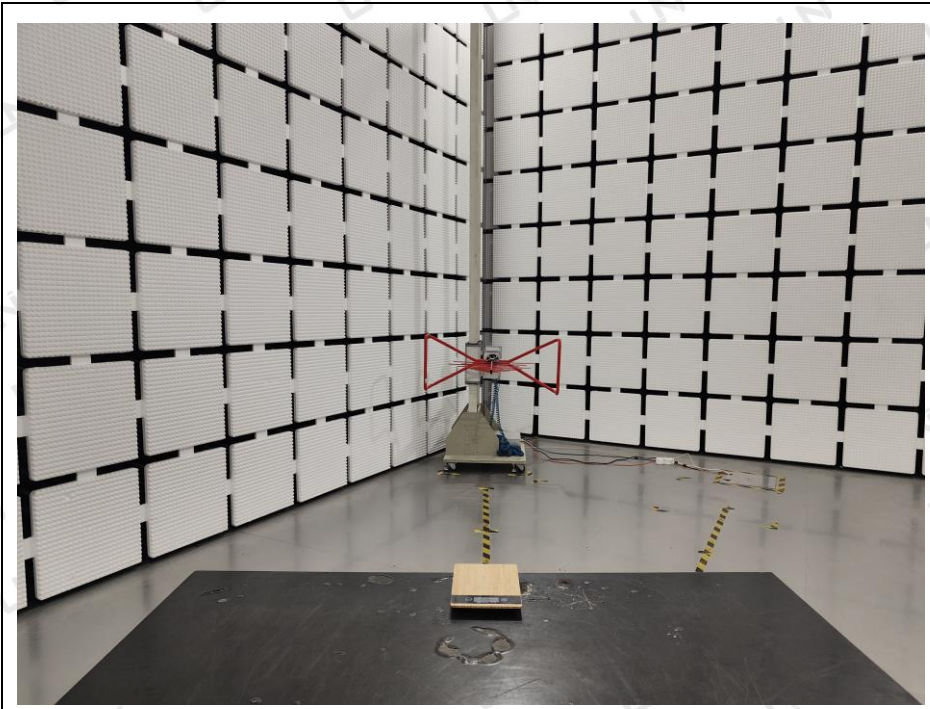


PHOTO 01



PHOTO 02

Statement

1. This report must have the signature of the authorized signatory and the special seal of the report, otherwise it will be considered invalid. If there is no anti-counterfeiting electronic seal of the laboratory in the report in PDF format or it is displayed as "x", the report is invalid.
2. This report shall not be modified, added or deleted without authorization.
3. The results of this report are only valid for the EUT provided by Applicant to our laboratory for inspection (That is, EUT received by our laboratory. Without special explanation, it refers to the samples presented in the report "PHOTO OF EUT").
4. If there is any objection to the test data and conclusions of this report, please submit it in writing within 10 working days after the date of issuance of the report.
5. Without the written consent of the laboratory, this report shall not be copied (except for full copy), nor shall it be used as publicity materials or advertising.
6. The cover of the report is for decoration only, not included in the body of the report.
7. The paper report issued by our laboratory has the same effect as the electronic report. In case of any difference between the two, the electronic report shall prevail.
8. The Chinese and English reports issued by our laboratory have the same effect. In case of any difference in understanding, the Chinese version shall prevail.
9. Please provide the complete report documents issued by our laboratory when inquiring the report.
10. For cases where compliance is determined based on test values, when relevant specifications, standards, documents, and customers have no relevant requirements and no other special instructions, the test report issued by this laboratory is carried out in full value and adopts ILAC-G8:09 /2019 "Simple Acceptance Rule" for judgment.
11. In the People's Republic of China, when there is no CMA Accredited Symbol in this report, the report is only for scientific research, teaching or internal quality control activities.

End of Report